

Wild East Devon: How to make a nest box

This guide will show you how to make a cosy home for birds or small mammals to nest in.

Find a large piece of wood to cut the below shapes. 2x4inch plank will work fine, any wood will suffice.

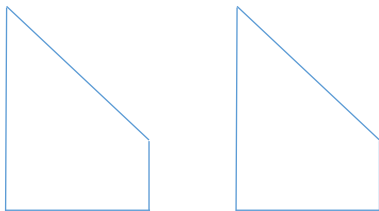
Take your time when making your box and ensure that all the pieces are nicely lined up before you hammer them in place. Try and leave as few gaps as possible to ensure there are no drafts or leaks in the box.

To avoid injury to fingers, please be very careful to keep your non-hammering hand well away from the area you are hammering. There are pre-drilled holes to put the nails into so you should not need to hold them in position. Push the nails in as far as they will go before you begin hammering.

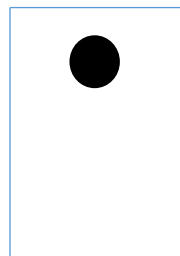
Also be very careful when handling the wood and nails as there can be some sharp splinters and the nails have a sharp tip.

You will need:

Two side pieces



A front piece



A large back piece



A roof (the same as the front with no large hole)



A small floor piece



Some roofing felt and tacs

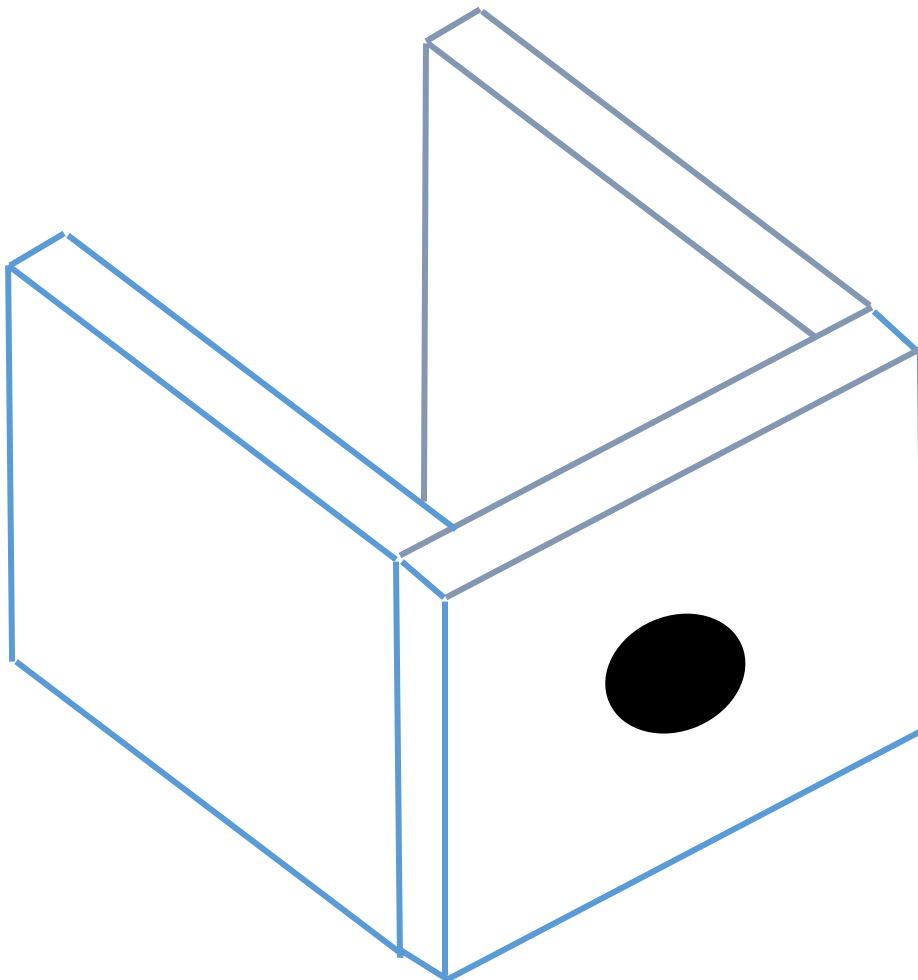
12 nails

Step 1

Attach the front piece to the side pieces. Hammer nails through the pre drilled holes in the front piece. There are 4 holes in total, two on each side.

Top Tip:

Make sure the angled side of the front piece follows the slope of your side pieces. Also make sure the joints between the pieces line up perfectly especially on the top where the roof will go to ensure no water can get in.

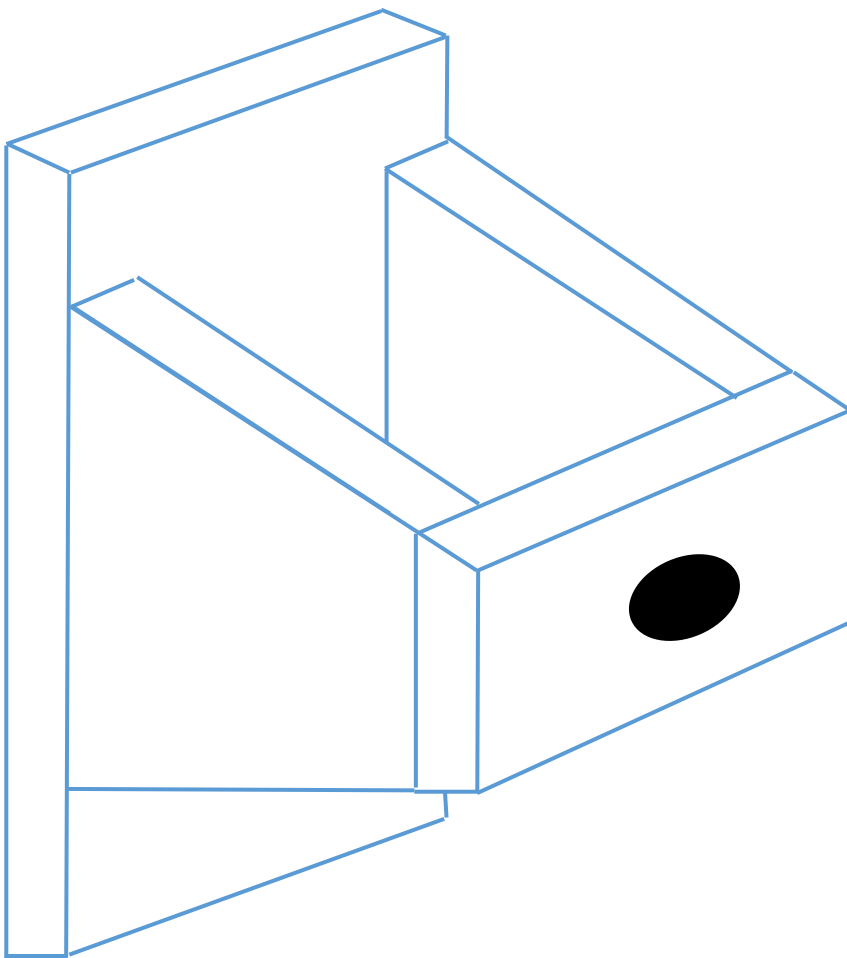


Step 2

Attach the back piece to the piece you have just constructed. Hammer the nails through the pre drilled holes in the back piece. There are 4 holes in total, two on each side.

Top Tip

Make sure the bottom of the side pieces line up with the pen line on the back piece. Once again take your time and ensure everything is lined up perfectly with no overhanging bits anywhere.



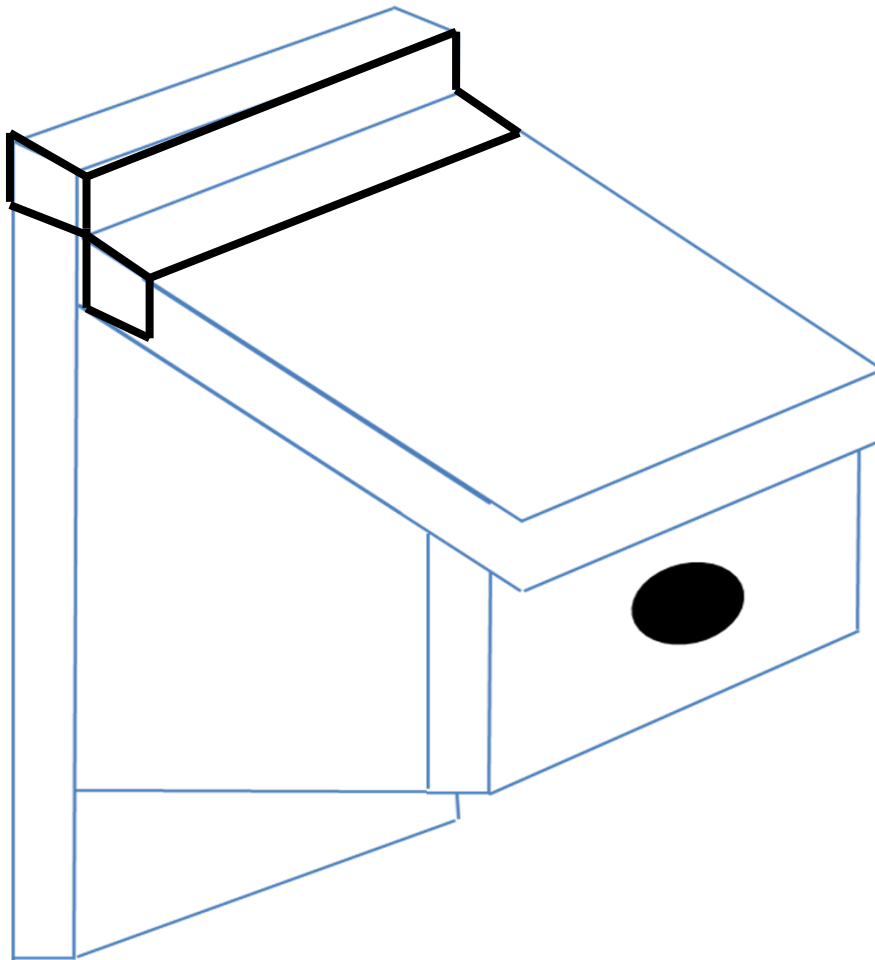
Step 3

Attach the roof using the roofing felt as shown by the black lines on the diagram. See the photo for reference.

Top Tip

Use 3 roofing tacs to hold the felt onto the back piece and 3 to hold it onto the roof piece. Then use one tac on each side of the roof piece and the back piece to wrap the felt round and keep it tucked in neatly. See photo below for reference.

To avoid hitting your fingers while holding the tacs push them firmly into the felt until they grip the felt and the wood below. They should then be free standing and allow you to hammer them in without holding them steady.

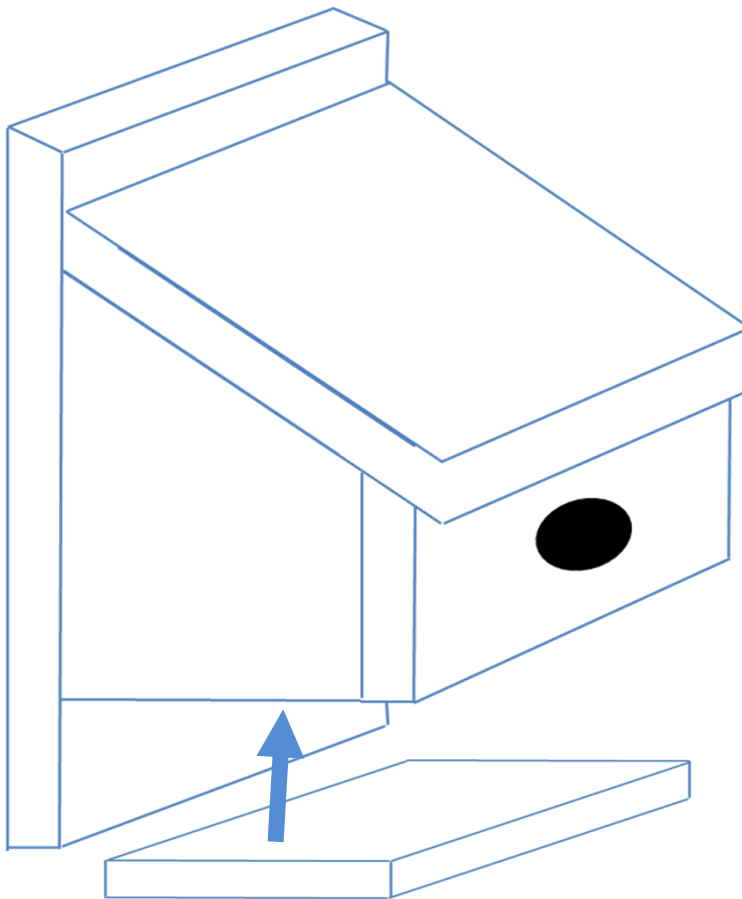


Step 4

Attach your floor piece by pushing it into the hole created underneath. Hammer nails through the pre drilled holes in the front, back and side pieces (1 in each, 4 in total) to hold it in place

Top Tip:

Do not worry if there are gaps between the walls and the floor. These have been made like this deliberately to allow drainage of the box and ease of fitting



Step 5

Let your imagination take over and decorate your box.

@wildeastdevon #wildeastdevon